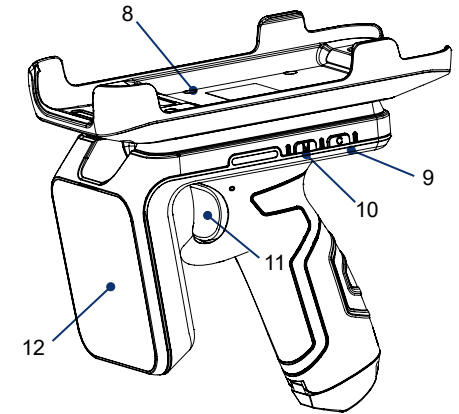
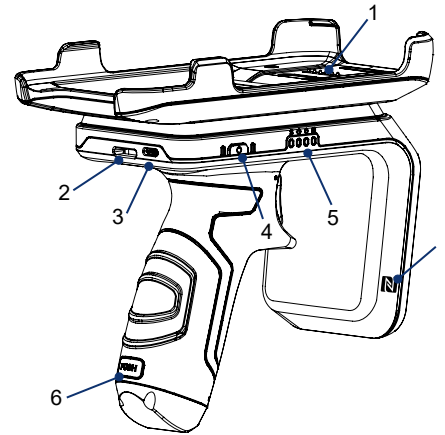


Quick Start Guide

RF750



Device Parts



1. PM75 Connector
2. Hand strap hole
3. USB Type C connector
4. Power button
5. LED indicator
6. Battery release button
7. NFC Tag

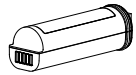
8. PM75 retention fixture
9. Connect mode change button
10. Trigger mode change button
11. Trigger button
12. UHF RFID Antenna

V01 October 2021
Copyright 2021 Point Mobile Co., Ltd. All rights reserved.

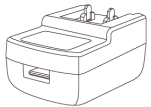
Standard Package



RF750



3,250mAh Battery



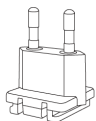
5V / 2A Power Adapter



USB Type C Cable



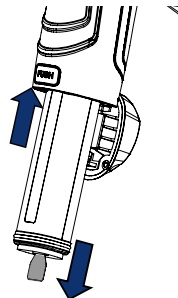
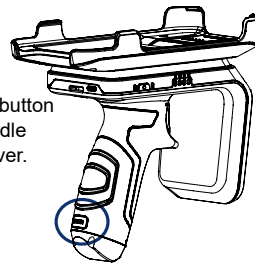
Hand Strap



AC Plug

Battery Replacement

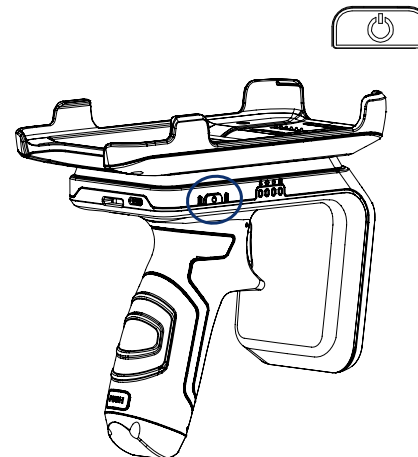
1. Press Battery release button on the back of the handle to open the battery cover.



2. Remove the battery by pulling the strap and replace the battery. Then, close the cover firmly.

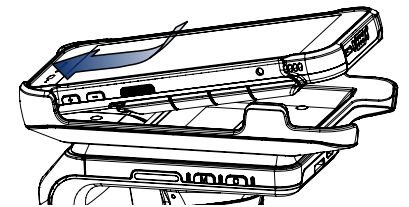
Turn On / Off Device

To turn on or off the RF750, press and hold the power button at least 2 seconds.

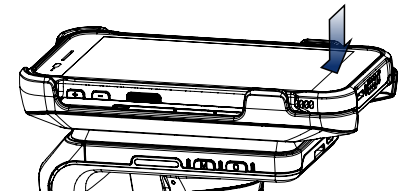


Install PM75

1. Insert the PM75 into the retention fixture of RF750 from the top.



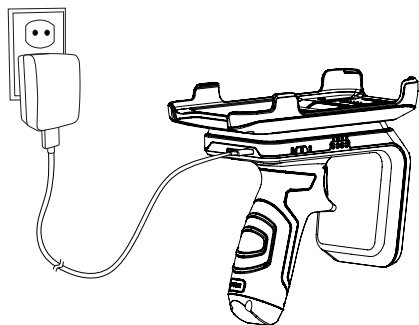
2. Push the bottom of PM75 down.



3. To remove, hold the retention fixture and pull up the bottom side of PM75.

Charging the device

Using power adapter

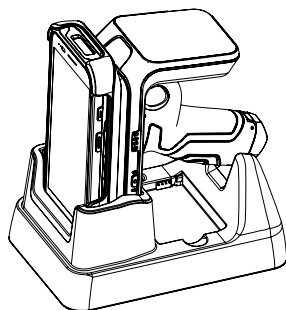


1. Assemble the power adapter and USB type C cable.
2. Connect the cable to RF750's USB connector.
3. Plug the power adapter to power outlet.

<Note>

When adapter is connected to RF750 with PM75 mounted, only RF750 is charged.
(In case of connecting PM75, both devices are charged simultaneously.)

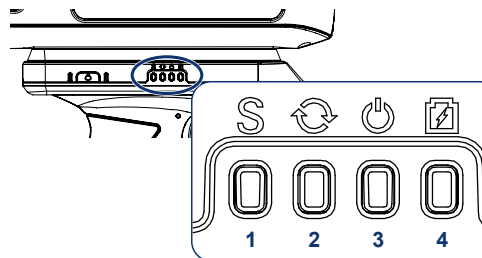
Using cradle (SSC)



Charge RF750 with PM75 mounted through the cradle cradle, SSC (sold separately).
Place the device into the cradle as shown in the figure above.

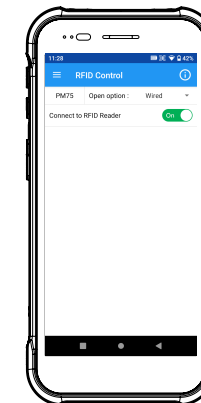
With cradle, PM75 and RF750 will be charged at the same time.

LED Indicator



1	Trigger-Mode LED	Turned off	UHF RFID mode
		Solid red	Barcode scan mode
2	Connect-Mode LED	Turned off	Wired communication mode
		Solid red	Bluetooth communication mode
3	State LED	Solid red	Power on
		Solid green	Bluetooth or Wired Connected
4	Charging LED	Solid red	Charging RF750
		Solid green	RF750 is fully charged
		Alternately blinking red & green	Battery fault
		Blinking red	Low battery / Charging temperature is too high or low

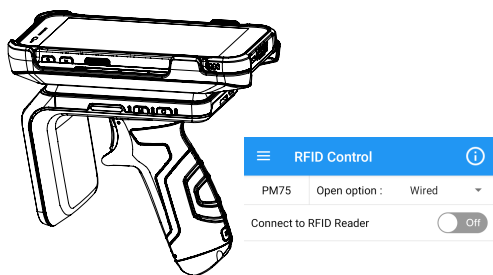
RFID Control Application



Using RFID Control app, connect RF750, and update the configuration and firmware of RF750.
RFID Demo app which demonstrates RFID reading function is included.

Download the app and firmware from Service Portal and install on PM75.

Connect with PM75 (Wired)



Wired communication is a default connect mode for RF750 and PM75.

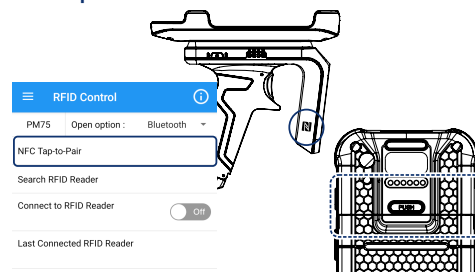
1. Install PM75 to RF750.
2. Launch **RFID Control** and tap **Connect to RFID Reader** toggle switch.
3. When the devices are connected properly, the State LED will light up green.

<Note>

Make sure the Connect-Mode LED is turned off (Wired connect mode) before connecting the devices.

Connect with PM75 (Bluetooth)

NFC Tap-to-Pair



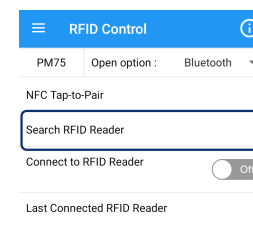
1. Press connect mode change button until Connect-Mode LED turns to solid red. (Bluetooth mode)
2. Change **Open option** to **Bluetooth** in RFID Control and tap **NFC Tap-to-Pair**.
3. Align each device's NFC tagging area (marked on above figure) close together.
4. Check if the State LED lights green.

<Note>

If RF750 is already connected as wired connection, disconnect it before changing connect mode.

Connect with PM75 (Bluetooth)

Search RFID Reader

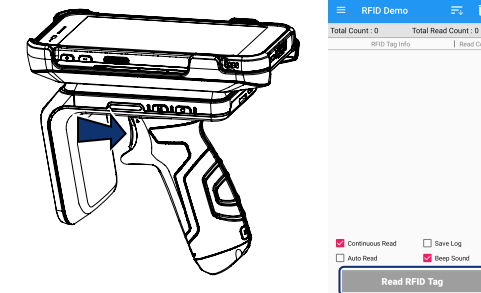


1. Press connect mode change button until Connect-Mode LED turns to solid red (Bluetooth mode)
2. Change **Open option** to **Bluetooth** in RFID Control and tap **Search RFID Reader**.
3. Select an RF750 to connect.
4. Check if the State LED lights green.

<Note>

If RF750 is already connected as wired connection, disconnect it before changing connect mode.

Read RFID Tag



1. Connect RF750 with PM75.
2. Aim the RF750 to the RFID tag.
3. Press the trigger button of RF750 or tap **Read RFID Tag** button of RFID Demo app to read RFID tag.